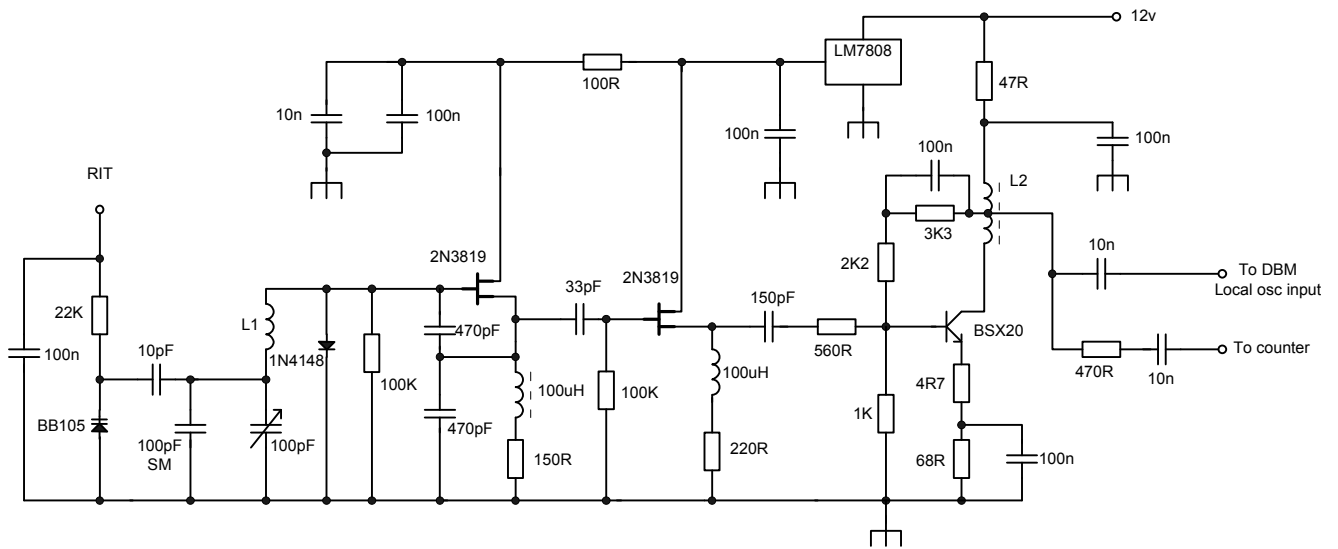


M0DGQ



L1 = 32 turns 28SWG  
 Enamelled Cu  
 On 16mm ceramic former  
 - I used an old cartridge  
 Fuse

L2 = 10 turns  
 Bifilar 32 SWG  
 On FT50-43  
 Torroid core