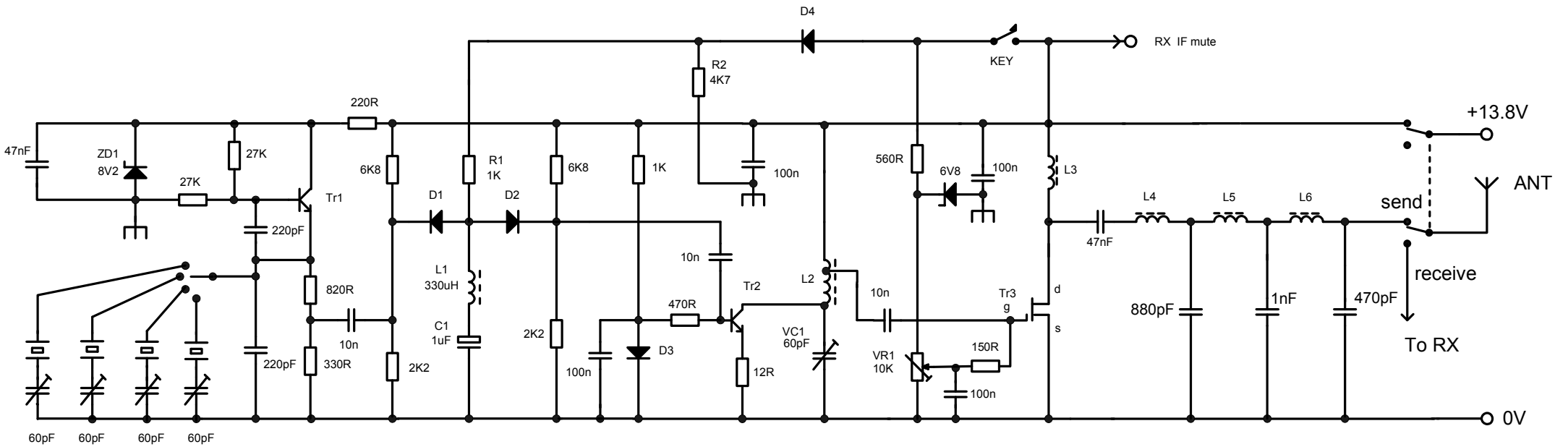


# M0DGQ



4 X G-QRP club  
40M xtals

Tr1 2N3904

Diodes = 1N4148

Tr2 2N3904

Set Bias

Tr3 IRF510

L2 = 36t, 6t tap from  
Cold end  
32 swg enamelled  
Cu on T50 - 2 core

L3 = 40t, 32 swg  
Enamelled Cu  
On FT50 - 43  
Ferrite core

L4 = 11t, 22 swg  
Enamelled Cu  
On T50 - 2  
core

L5, L6 = 14t, 22  
swg  
Enamelled Cu  
On T50 - 2  
Core