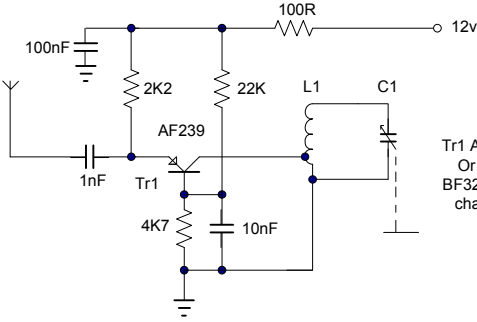


OPTIONAL RF PRE- AMP



Tr1 AF239,AF139 etc.
Or use modern Si
BF324, BF506 etc but
change 22K to15K