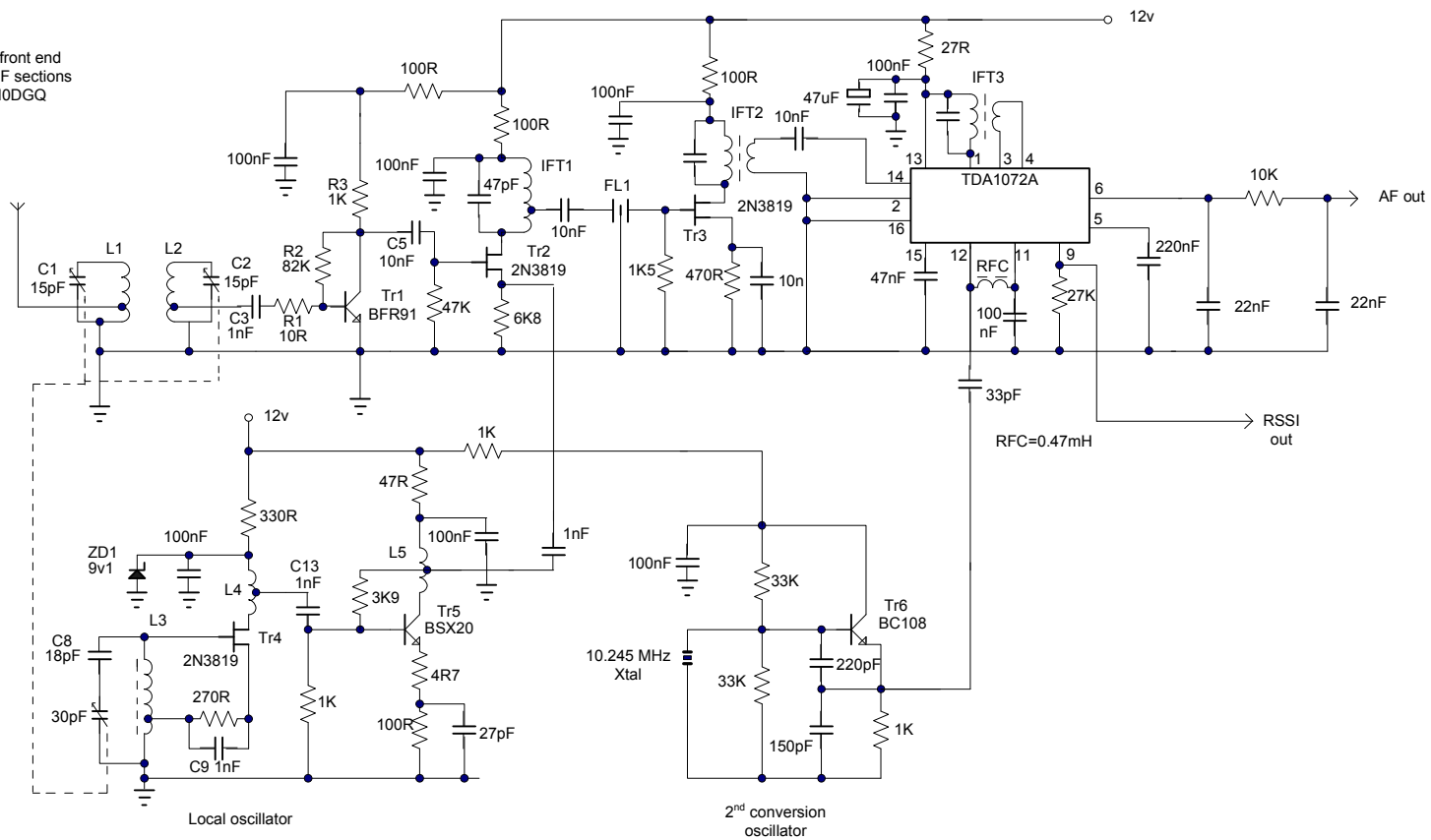
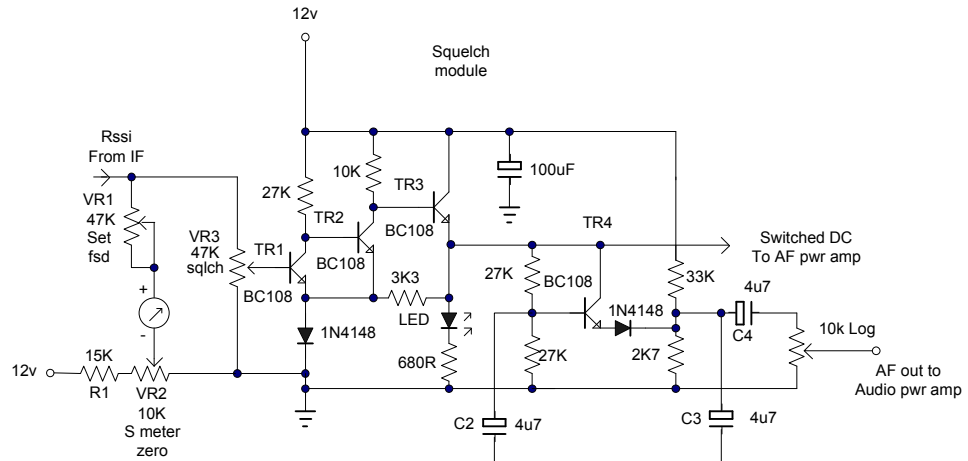


RF front end
And IF sections
MODGQ

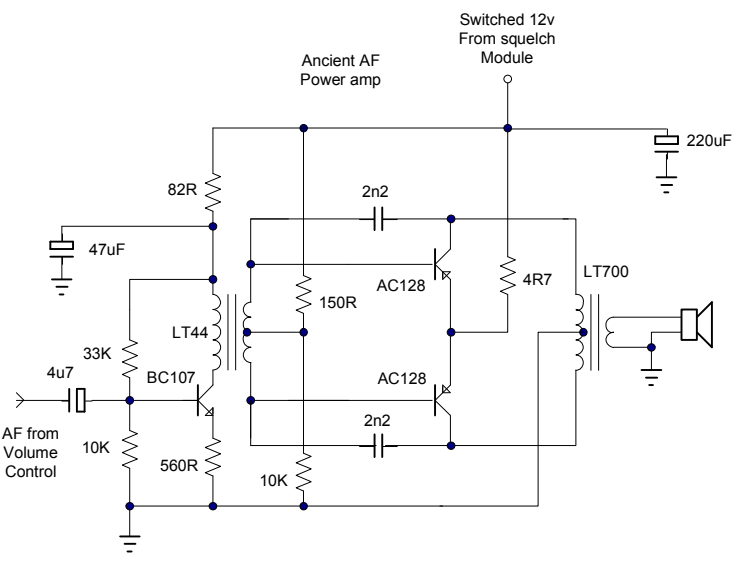


Local oscillator

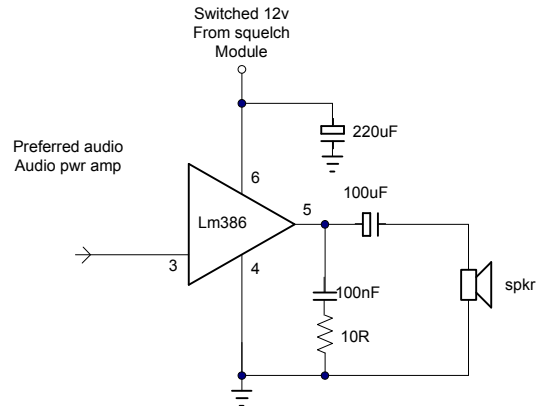
2nd conversion oscillator



Squelch module



Ancient AF Power amp



Preferred audio pwr amp